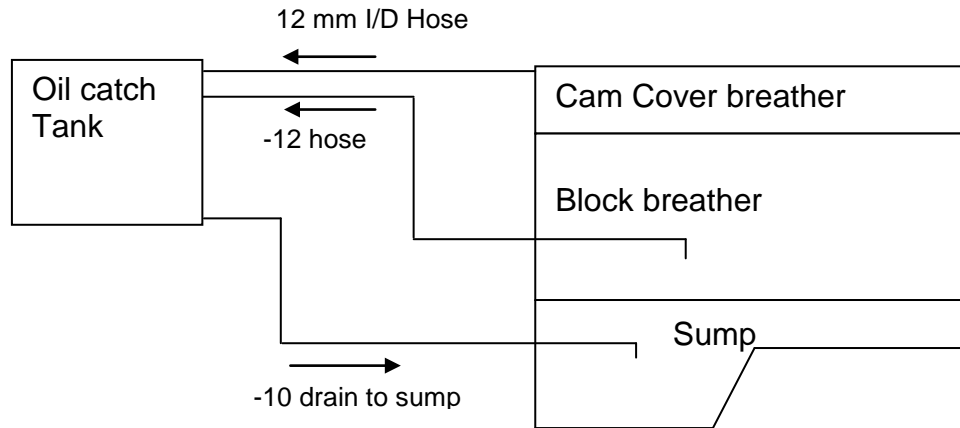


Hose arrangement for 1.6L 16v Vauxhall breathing modification



SBD Motorsport Ltd
Unit 15, Red Lion Business Park, Red Lion Road, Surbiton, Surrey. KT6 7QD
Tel:0208 391 0121
Email:sbdmotorsport@btconnect.com
Website:sbdev.co.uk