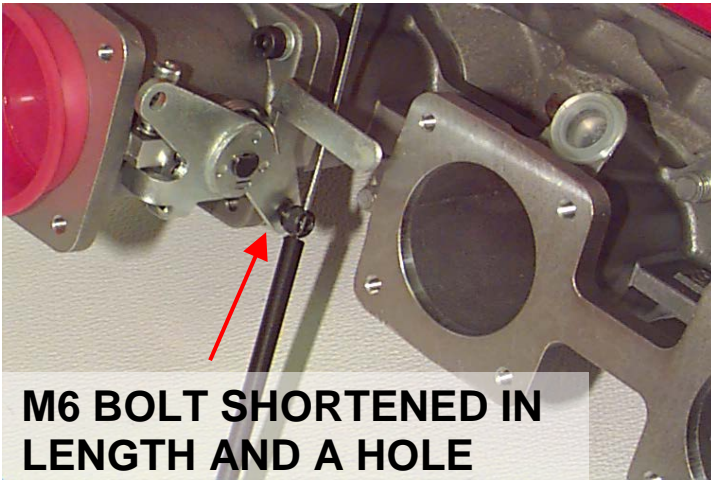
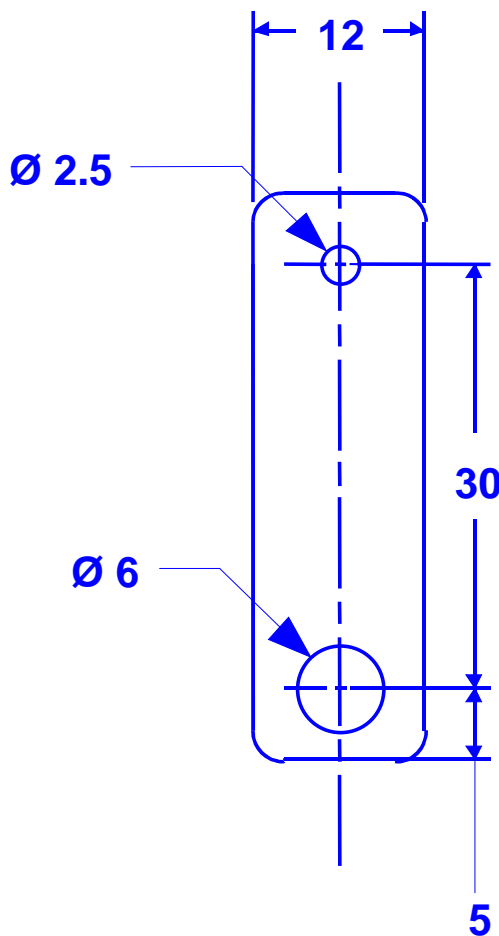
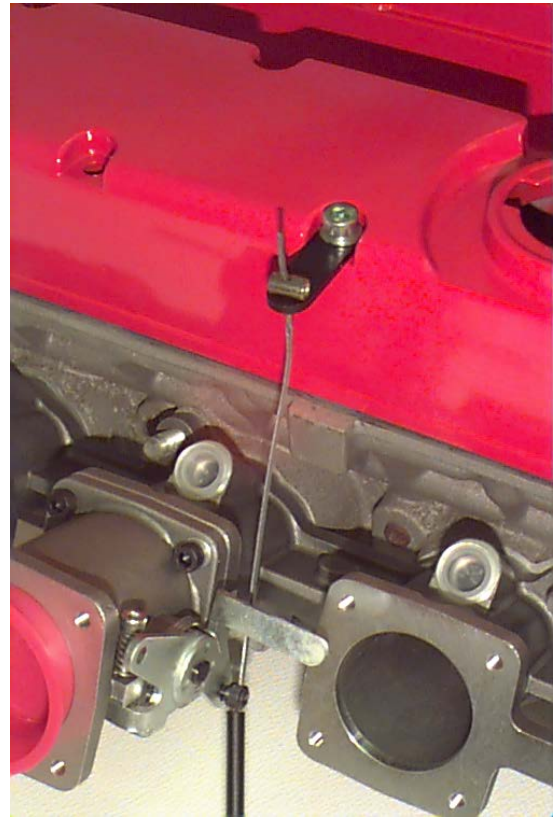


2.0L Vauxhall Taper Throttle Cable Instructions



M6 BOLT SHORTENED IN LENGTH AND A HOLE DRILLED THROUGH THE HEAD. NYLOCK ON OTHER SIDE.



2.0L Taper Throttle Cable Holder

**ALL DIMS IN mm
THICKNESS:- 3mm**



SBD Motorsport Ltd
Unit 15, Red Lion Business Park, Red Lion Road, Surbiton, Surrey. KT6 7QD
Tel:0208 391 0121
Email:sbdmotorsport@btconnect.com
Website:sbdev.co.uk