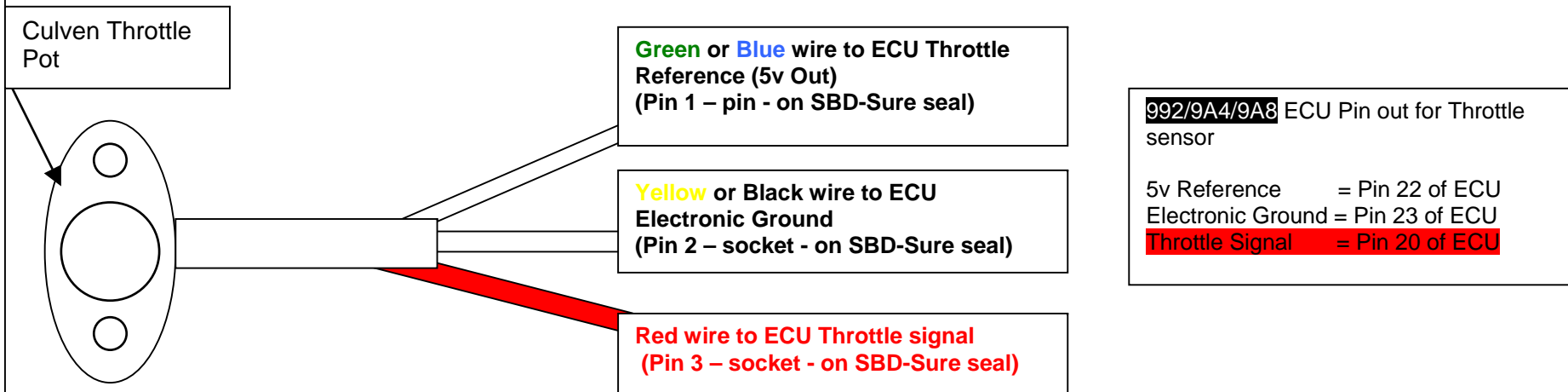


Throttle Pot wiring Culven Type as used on TP & MT Kits to 992, 9A4 & 9A8



IMPORTANT NOTE

In most Cases the voltage for the throttle pot when the engine is at idle is 0.37 Volts this is however only for engine that have been programmed by SBD. You will also need to know the units of air when the engine is at idle (this will be in KGs per hour) & the fuel pressure your engine was mapped.